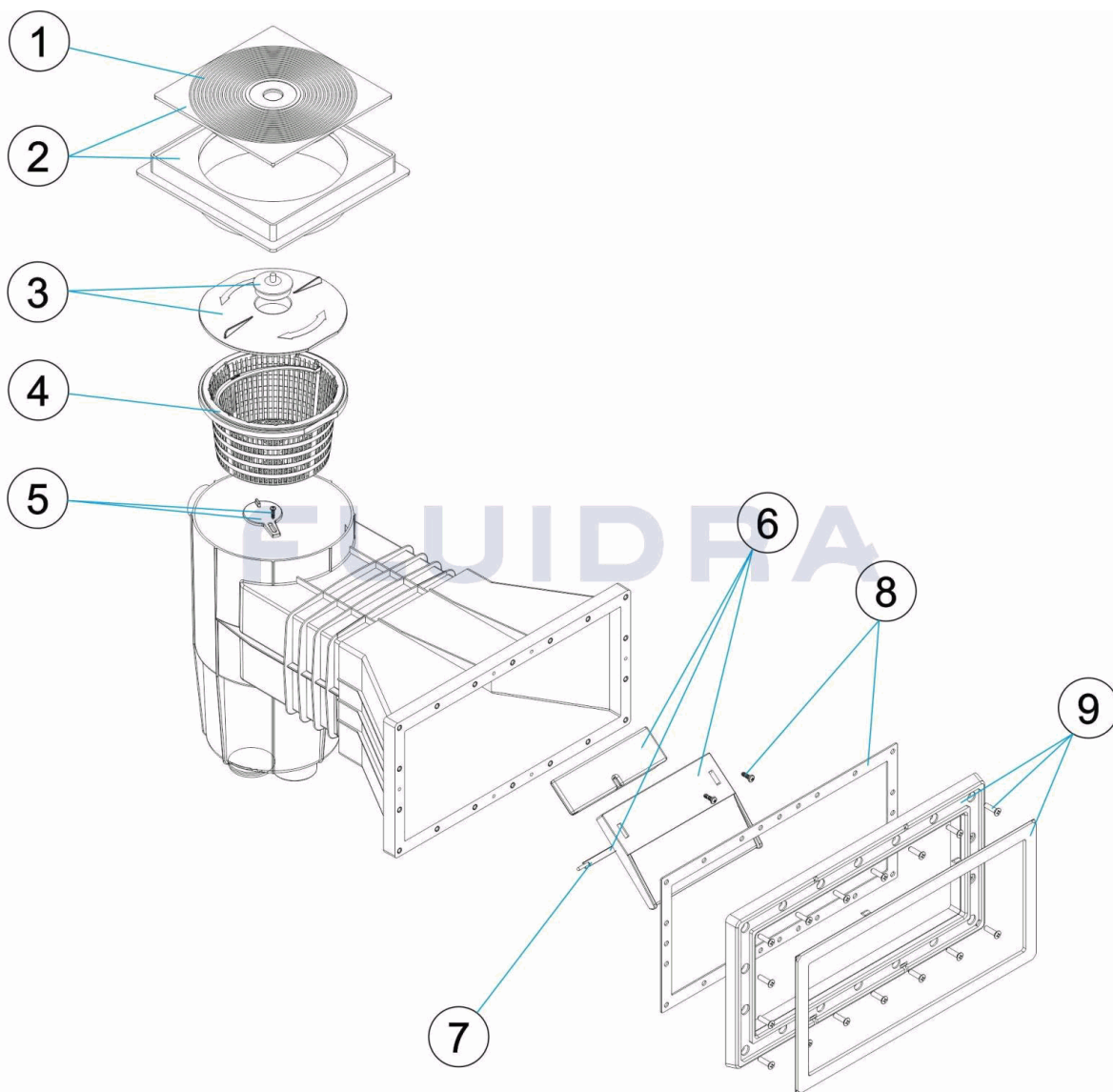


CODIGO **01464, 01464CL090, 01464CL129, 01464CL144**

DESCRIPCION: **SKIMMER 15L PP. B.AMPLIACION TAPA CUADRADA**



ESPAÑOL

POS	CODIGO	DESCRIPCION	POS	CODIGO	DESCRIPCION
1	4402010108	TAPA CIRCULAR SKIMMER	6	* 4402010072	COMPUERTA SKIMMER BISAGRA
2	4402010106	TAPA Y ARO CUADRADO SKIMMER	7	4402010110	BISAGRA COMPUERTA
3	4402010104	TAPA CESTO SKIMMER CON TAPON	8	4402014101	JUNTA PISCINA PREFABRICADA
4	4402010103	CESTO SKIMMER	9	* 4402010408	MARCO BOCA SKIMMER PISC. PREF.
5	4402010102	CLAPETA SKIMMER	9	* 4402010100	MARCO BOCA SKIMMER PISC. PREF.
6	* 4402010101	COMPUERTA SKIMMER BISAGRA	9	* 4402010125	MARCO BOCA SKIMMER PISC. PREF.
6	* 4402010026	CONJUNTO COMPUERTA SKIMMER + FLOTADOR	9	* 4402010124	MARCO BOCA SKIMMER PISC. PREF.
6	* 4402010030	CONJUNTO COMPUERTA SKIMMER + FLOTADOR			

CODIGO 01464, 01464CL090, 01464CL129, 01464CL144

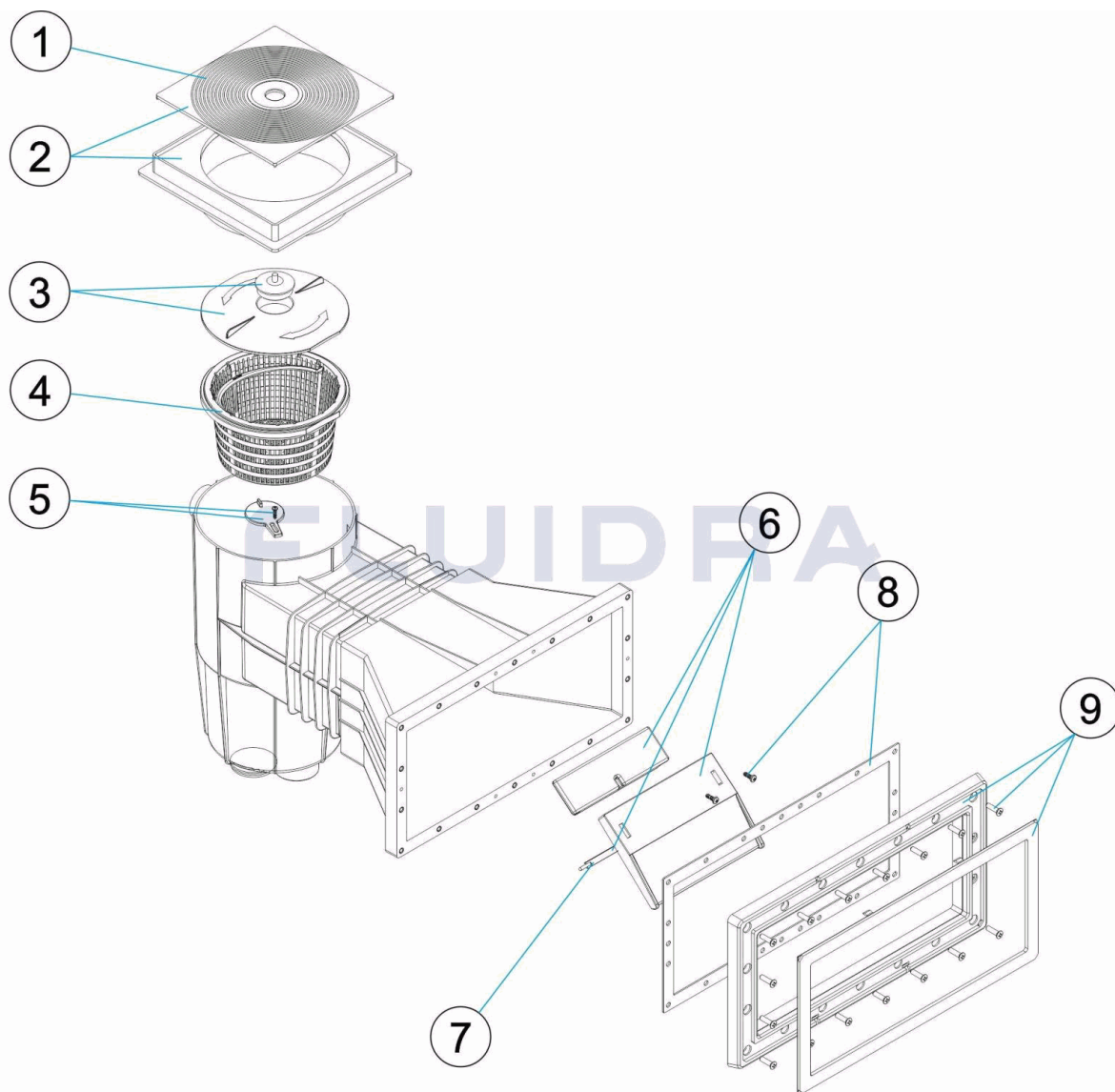
DESCRIPCION: SKIMMER 15L PP. B.AMPLIACION TAPA CUADRADA

OBSERVACIONES

POS	CODIGO	OBSERVACIONES
6	4402010101	PARA: 01464 BLANCO / WHITE
6	4402010026	PARA: 01464CL090 BEIGE
6	4402010030	PARA: 01464CL129 GRIS / GREY
6	4402010072	PARA: 01464CL144 ANTRACITA / ANTHRACITE
9	4402010408	PARA: 01464 BLANCO / WHITE
9	4402010100	PARA: 01464CL090 BEIGE
9	4402010125	PARA: 01464CL129 GRIS / GREY
9	4402010124	PARA: 01464CL144 ANTRACITA / ANTHRACITE

CODE **01464, 01464CL090, 01464CL129, 01464CL144**

DESCRIPTION: **SKIMMER 15L PP. O.ÉLARGISSEMENT COUVERCLE CARRÉ**



FRANCAIS

POS	CODE	DESCRIPTION	POS	CODE	DESCRIPTION
1	4402010108	COUVERCLE ROND SKIMMER	6	* 4402010072	VOLET ET CHARNIERE SKIMMER
2	4402010106	COUVERCLE ET CADRE CARRE SKIMMER	7	4402010110	CHARNIERE VOLET
3	4402010104	COUVERCLE PANIER SKIMMER AVEC BOUCHON	8	4402014101	JOINT PISCINE LINER
4	4402010103	PANIER SKIMMER	9	* 4402010408	BRIDE ET CACHE VIS KIT LINER
5	4402010102	CLAPET SKIMMER	9	* 4402010100	BRIDE ET CACHE VIS KIT LINER
6	* 4402010101	VOLET ET CHARNIERE SKIMMER	9	* 4402010125	BRIDE ET CACHE VIS KIT LINER
6	* 4402010026	VOLET ET CHARNIERE SKIMMER	9	* 4402010124	BRIDE ET CACHE VIS KIT LINER
6	* 4402010030	VOLET ET CHARNIERE SKIMMER			

CODE **01464, 01464CL090, 01464CL129, 01464CL144**

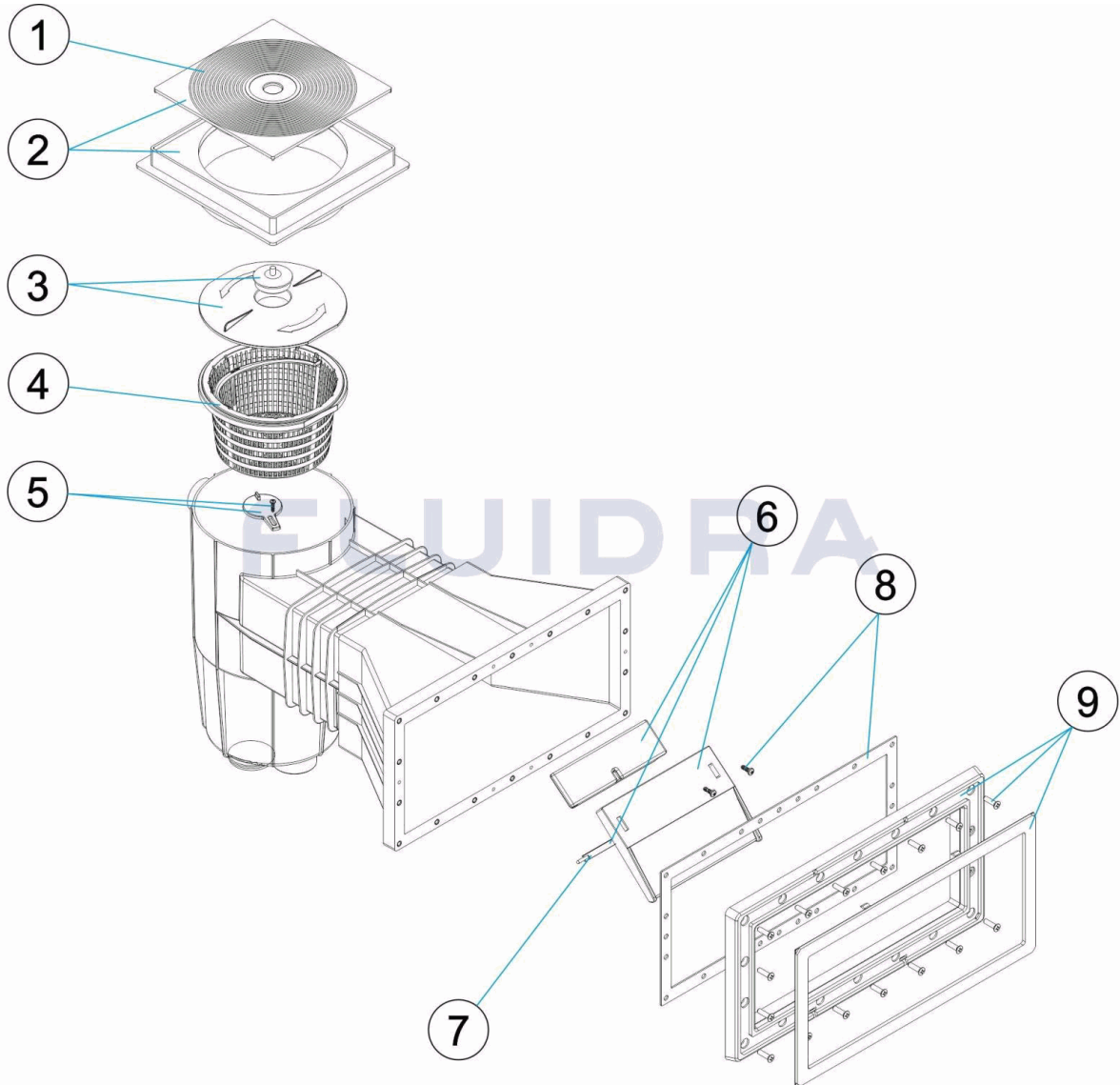
DESCRIPTION: **SKIMMER 15L PP. O.ÉLARGISSEMENT COUVERCLE CARRÉ**

OBSERVATIONS

POS	CODE	OBSERVATIONS
6	4402010101	POUR: 01464 BLANCO / WHITE
6	4402010026	POUR: 01464CL090 BEIGE
6	4402010030	POUR: 01464CL129 GRIS / GREY
6	4402010072	POUR: 01464CL144 ANTRACITA / ANTHRACITE
9	4402010408	POUR: 01464 BLANCO / WHITE
9	4402010100	POUR: 01464CL090 BEIGE
9	4402010125	POUR: 01464CL129 GRIS / GREY
9	4402010124	POUR: 01464CL144 ANTRACITA / ANTHRACITE

CODE **01464, 01464CL090, 01464CL129, 01464CL144**

DESCRIPTION: **SKIMMER 15L PP. B. EXTENSION SQUARE COVER**



ENGLISH

POS	CODE	DESCRIPTION	POS	CODE	DESCRIPTION
1	4402010108	CIRCULAR SKIMMER LID	6	* 4402010072	FLAP RETAINING CLIP
2	4402010106	SQUARE LID AND LID FRAME	7	4402010110	HINGE FLAP
3	4402010104	VACUUM PLATE WITH PLUG	8	4402014101	LINER POOL GASKET
4	4402010103	SKIMMER BASKET	9	* 4402010408	SKIMMER FRAME FOR LINER
5	4402010102	KEYHOLE FLAP	9	* 4402010100	SKIMMER FRAME FOR LINER
6	* 4402010101	FLAP RETAINING CLIP	9	* 4402010125	SKIMMER FRAME FOR LINER
6	* 4402010026	FLAP RETAINING CLIP	9	* 4402010124	SKIMMER FRAME FOR LINER
6	* 4402010030	FLAP RETAINING CLIP			

CODE **01464, 01464CL090, 01464CL129, 01464CL144**

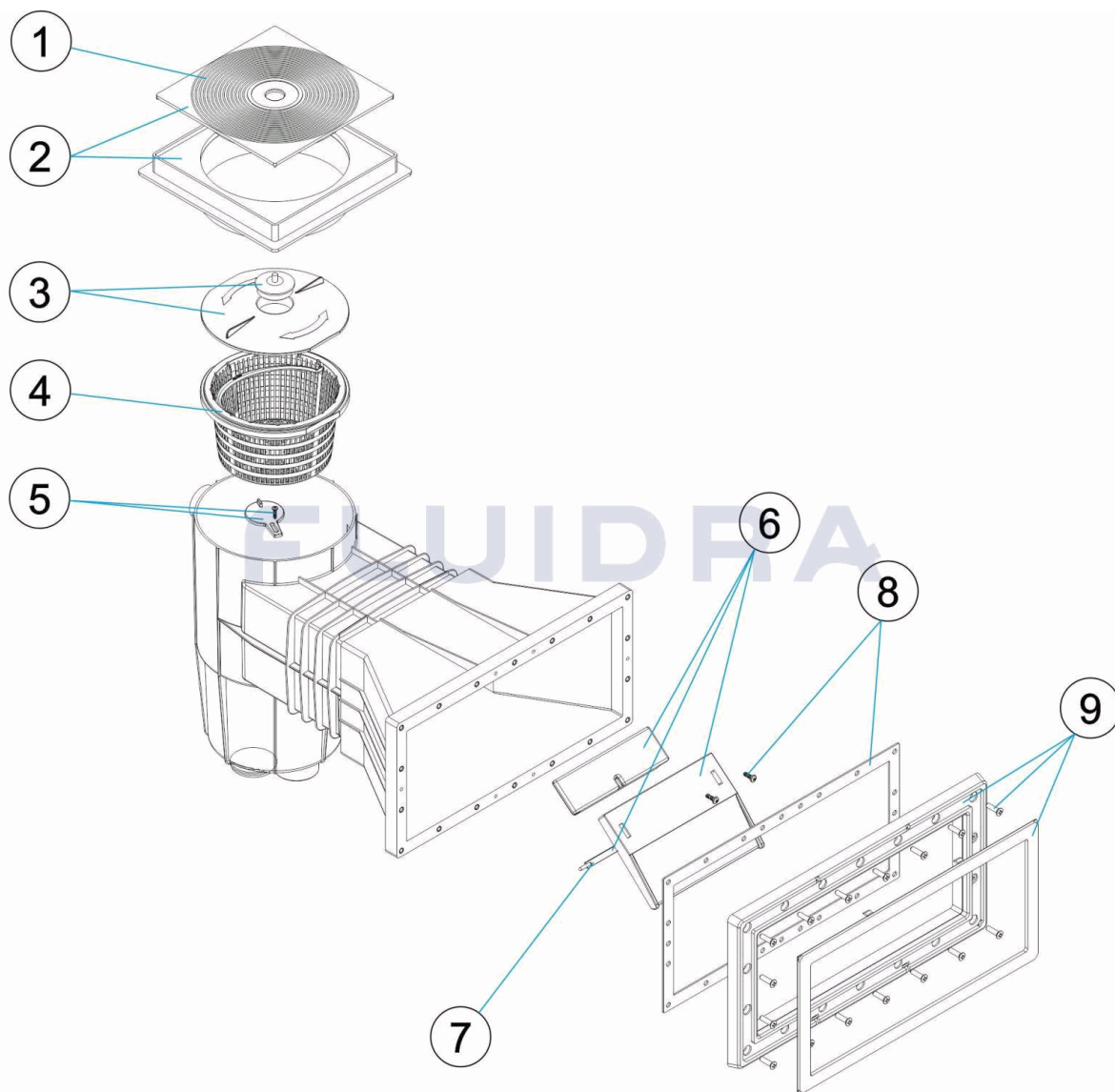
DESCRIPTION: **SKIMMER 15L PP. B. EXTENSION SQUARE COVER**

OBSERVATIONS

POS	CODE	OBSERVATIONS
6	4402010101	FOR: 01464 BLANCO / WHITE
6	4402010026	FOR: 01464CL090 BEIGE
6	4402010030	FOR: 01464CL129 GRIS / GREY
6	4402010072	FOR: 01464CL144 ANTRACITA / ANTHRACITE
9	4402010408	FOR: 01464 BLANCO / WHITE
9	4402010100	FOR: 01464CL090 BEIGE
9	4402010125	FOR: 01464CL129 GRIS / GREY
9	4402010124	FOR: 01464CL144 ANTRACITA / ANTHRACITE

CODICE 01464, 01464CL090, 01464CL129, 01464CL144

DESCRIZIONE: SKIMMER 15L PP B. AMPLIAZIONE TAPPO QUADRATO



ITALIANO

POS	CODICE	DESCRIZIONE	POS	CODICE	DESCRIZIONE
1	4402010108	COPERCHIO TONDO SKIMMER	6	* 4402010072	BATTENTE SKIMMER CON PERNO
2	4402010106	COPERCHIO E CORNICE QUADRA SKIMMER	7	4402010110	CERNIERE BATTENTE
3	4402010104	COPERCHIO CESTELLO SKIMMER CON TAPPO	8	4402014101	GUARNIZIONE PISCINA PREF
4	4402010103	CESTELLO SKIMMER	9	* 4402010408	FLANGIA BOCCA SKIMMER PER PISCINA IN C.A.
5	4402010102	ALETTA PARZIALIZZATRICE SKIMMER	9	* 4402010100	FLANGIA BOCCA SKIMMER PER PISCINA IN C.A.
6 *	4402010101	BATTENTE SKIMMER CON PERNO	9	* 4402010125	FLANGIA BOCCA SKIMMER PER PISCINA IN C.A.
6 *	4402010026	BATTENTE SKIMMER CON PERNO	9	* 4402010124	FLANGIA BOCCA SKIMMER PER PISCINA IN C.A.
6 *	4402010030	BATTENTE SKIMMER CON PERNO			

CODICE **01464, 01464CL090, 01464CL129, 01464CL144**

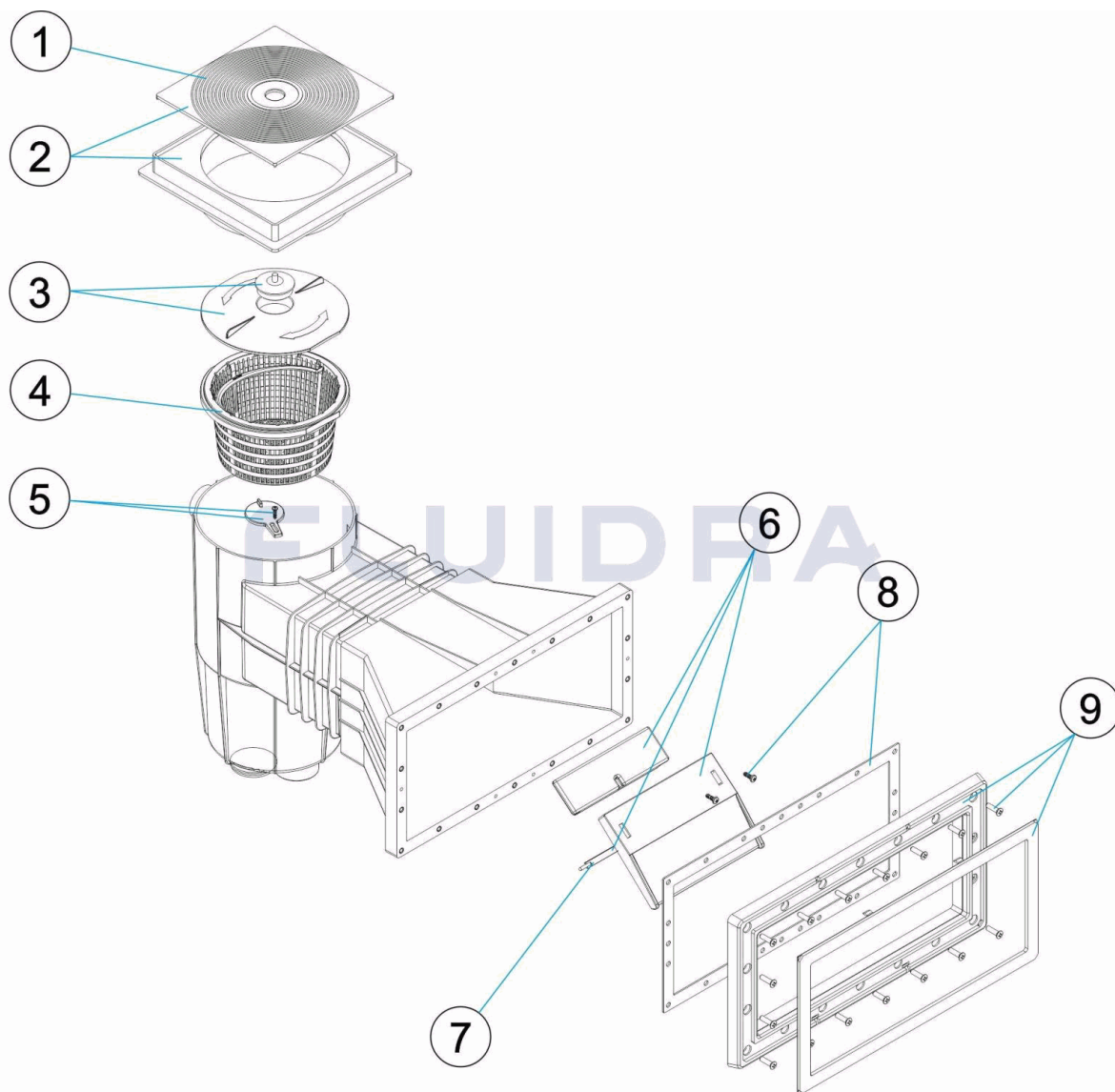
DESCRIZIONE: SKIMMER 15L PP B. AMPLIAZIONE TAPPO QUADRATO

OSSERVAZIONI

POS	CODICE	OSSERVAZIONI
6	4402010101	PER: 01464 BLANCO / WHITE
6	4402010026	PER: 01464CL090 BEIGE
6	4402010030	PER: 01464CL129 GRIS / GREY
6	4402010072	PER: 01464CL144 ANTRACITA / ANTHRACITE
9	4402010408	PER: 01464 BLANCO / WHITE
9	4402010100	PER: 01464CL090 BEIGE
9	4402010125	PER: 01464CL129 GRIS / GREY
9	4402010124	PER: 01464CL144 ANTRACITA / ANTHRACITE

CODE **01464, 01464CL090, 01464CL129, 01464CL144**

BESCHREIBUNG: **SKIMMER 15L PP. EINLASS ERWEITERT ABDECKUNG QUADRATISCH**



DEUTSCH

POS	CODE	BESCHREIBUNG	POS	CODE	BESCHREIBUNG
1	4402010108	ABDECKUNG RUND SKIMMER	6	* 4402010072	SKIMMERKLAPPE SCHARNIER
2	4402010106	ABDECKUNG UND RING SKIMMER QUADRATISCH	7	4402010110	SCHARNIER Klappe
3	4402010104	ABDECKUNG SKIMMKORB MIT STOPFEN	8	4402014101	DICHTUNG FERTIGBECKEN
4	4402010103	SKIMMERKORB	9	* 4402010408	RAHMEN SKIMMEREINLASS FERTIGBECKEN
5	4402010102	SKIMMERKLAPPE	9	* 4402010100	RAHMEN SKIMMEREINLASS FERTIGBECKEN
6	* 4402010101	SKIMMERKLAPPE SCHARNIER	9	* 4402010125	RAHMEN SKIMMEREINLASS FERTIGBECKEN
6	* 4402010026	SET SKIMMERKLAPPE MIT SCHWIMMER	9	* 4402010124	RAHMEN SKIMMEREINLASS FERTIGBECKEN
6	* 4402010030	SET SKIMMERKLAPPE MIT SCHWIMMER			

CODE **01464, 01464CL090, 01464CL129, 01464CL144**

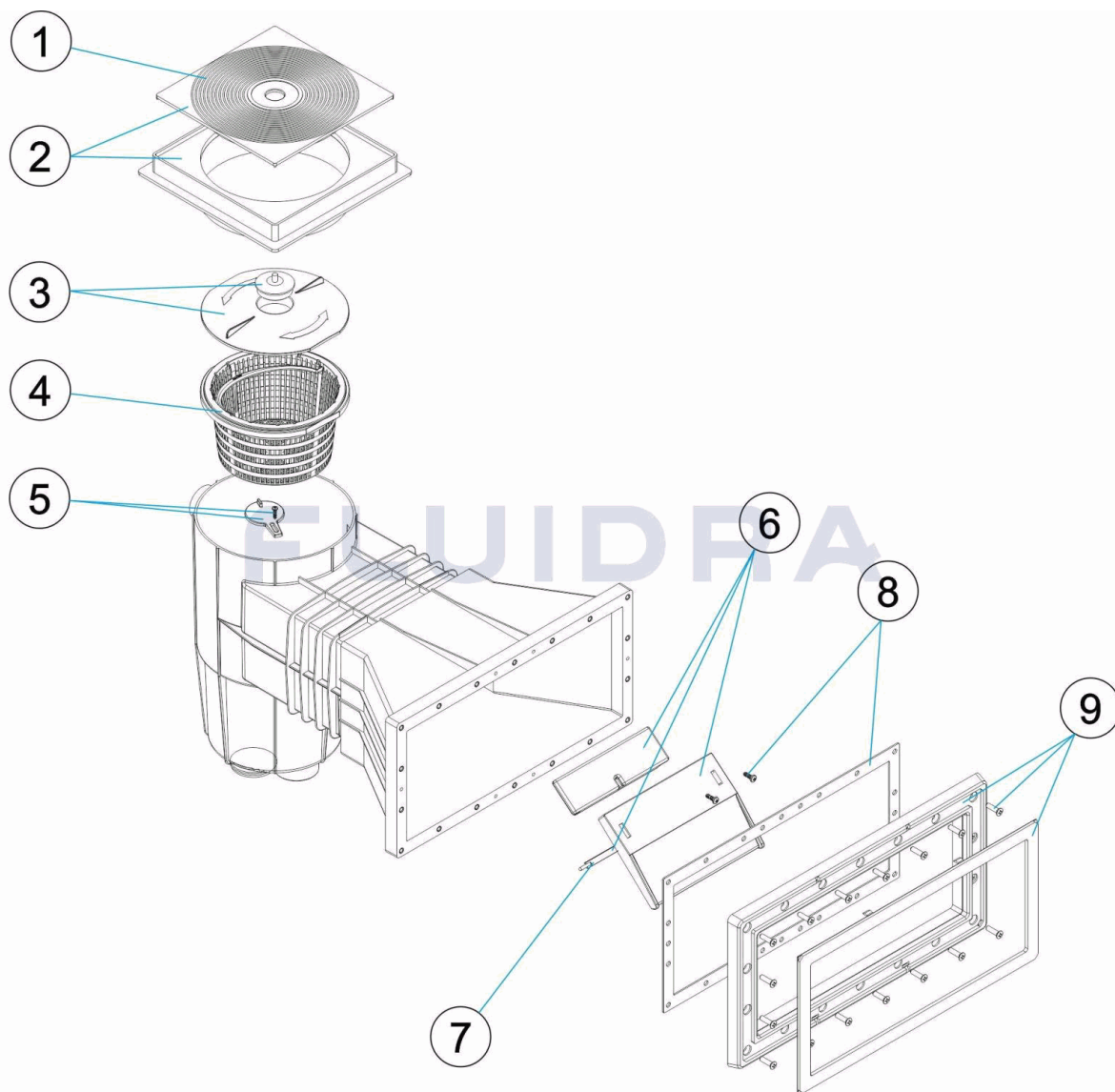
BESCHREIBUNG: **SKIMMER 15L PP. EINLASS ERWEITERT ABDECKUNG QUADRATISCH**

HINWEISE

POS	CODE	HINWEISE
6	4402010101	FÜR: 01464 BLANCO / WHITE
6	4402010026	FÜR: 01464CL090 BEIGE
6	4402010030	FÜR: 01464CL129 GRIS / GREY
6	4402010072	FÜR: 01464CL144 ANTRACITA / ANTHRACITE
9	4402010408	FÜR: 01464 BLANCO / WHITE
9	4402010100	FÜR: 01464CL090 BEIGE
9	4402010125	FÜR: 01464CL129 GRIS / GREY
9	4402010124	FÜR: 01464CL144 ANTRACITA / ANTHRACITE

CODIGO **01464, 01464CL090, 01464CL129, 01464CL144**

DESCRIÇÃO: **SKIMMER 15 L PP. B. AMPLIAÇÃO TAMPA QUADRADA**



PORTUGUES

POS	CODIGO	DESCRIÇÃO	POS	CODIGO	DESCRIÇÃO
1	4402010108	TAMPA CIRCULAR SKIMMER	6	* 4402010072	COMPORTA SKIMMER BISAGRA
2	4402010106	TAMPA E ARO QUADRADO SKIMMER	7	4402010110	DOBRADIÇA COMPORTA
3	4402010104	TAMPA CESTO SKIMMER	8	4402014101	JUNTA RALO PISCINA PRÉ-FABRICADA
4	4402010103	CESTO SKIMMER	9	* 4402010408	CAIXILHO BOCA SKIMMER
5	4402010102	CLAPETA SKIMMER	9	* 4402010100	CAIXILHO BOCA SKIMMER
6	* 4402010101	COMPORTA SKIMMER BISAGRA	9	* 4402010125	CAIXILHO BOCA SKIMMER
6	* 4402010026	COMPORTA SKIMMER BISAGRA	9	* 4402010124	CAIXILHO BOCA SKIMMER
6	* 4402010030	COMPORTA SKIMMER BISAGRA			

CODIGO 01464, 01464CL090, 01464CL129, 01464CL144

DESCRIÇÃO: SKIMMER 15 L PP. B. AMPLIAÇÃO TAMPA QUADRADA

OBSERVAÇÕES

POS	CODIGO	OBSERVAÇÕES
6	4402010101	PARA: 01464 BLANCO / WHITE
6	4402010026	PARA: 01464CL090 BEIGE
6	4402010030	PARA: 01464CL129 GRIS / GREY
6	4402010072	PARA: 01464CL144 ANTRACITA / ANTHRACITE
9	4402010408	PARA: 01464 BLANCO / WHITE
9	4402010100	PARA: 01464CL090 BEIGE
9	4402010125	PARA: 01464CL129 GRIS / GREY
9	4402010124	PARA: 01464CL144 ANTRACITA / ANTHRACITE